

样本 2015-07 | Catalog July-2015

M2JAX 系列

危险环境用高效隔爆型三相异步电动机

公司简介

Company Introduction

上海ABB电机有限公司成立于1995年12月，隶属于世界500强ABB集团，是专门生产和销售低压交流三相异步电动机（机座号71-450）的企业。

公司提供符合IEC标准的各种电机，可满足不同行业需求，其产品包括标准电机、变频电机、船用电机、隔爆电机、烟道电机、多速电机、制动电机、户外电机、无火花电机、铝壳电机、磨头电机。并可提供按客户要求设计的特殊电机，所有设计均可达到客户的严格要求。同时，公司可提供具有不同绝缘等级，并能满足不同电压和频率要求的各种电机。公司主要OEM客户是空调风机、港机及起重机、泵业、减速机、机床、纺织机械、玻璃机械、船用、电厂辅机、电路板机械等行业领先企业。项目覆盖：电厂、制浆造纸、石化、冶金、船舶、港口、建筑、水泥、机场等。目前，公司生产的45%的电机通过ABB国际销售网络出口国外，主要是欧洲市场。

作为中国第一家获得ISO9001质量管理体系认证和ISO14001环境管理体系认证的中小型电机制造厂。上海ABB电机有限公司以其良好的管理和先进的技术，向客户提供世界顶级的ABB产品和服务。

Founded in December 1995, ABB Shanghai Motors Co., Ltd., belongs to ABB Group, one of the world's Top 500 Corporations, and specializes in manufacturing and marketing low voltage AC 3-phase asynchronous motors of frame size from 71 to 450.

The company offers a wide range of IEC Standard motors to meet the demands of various industries, including Standard Motors, Frequency Conversion Motors, Marine Motors, Flameproof Motors, Smoke Venting Motors, Multi-speed Motors, Brake Motors, Outdoor Environment Motors, Non-sparking Motors, Aluminum Motors, and Motors for Glass Machinery, together with specially customized motors as per customers' demands and meeting customers' stringent requirements. In addition, the company can supply a broad range of motors with various insulation classes, which can meet various voltage and frequency requirements. The company major OEM customers are leaders in HVAC, crane, pump, gearbox, machine tool, textile, glass, marine, power plant auxiliary equipment, circuit board, etc. And its projects cover: power plant, pulp and paper, PEC, metal, marine, port, building, cement, airport, etc. Forty-five percent of its motors are currently exported abroad, mainly to the European market.

As the first small-medium motor manufacturer with ISO9001 Certification and ISO14001 Certification in China, ABB Shanghai Motors Co., Ltd. Provides its customers with world-class ABB products and service with qualified management and advanced technology.



M2JAX 系列危险环境用高效隔爆型三相异步电动机 (H80-H355)

M2JAX Series IE2 Flameproof Three-phase Induction Motors for Hazardous Environments (H80-H355)

产品概述 Summary.....	5
技术特点 Technical Features.....	5
标准 Standards.....	6
Ex d 电动机使用场所 Application area of Ex d Motors.....	6
中外隔爆电机等级的分类 Chines & International Specifications of Explosion.....	7
外壳的类别所对应的各种可燃性气体或蒸汽及其分组 To Show the Group of Enclosures Suitable For a Particular Flammable Gas or Vapour and Its Classification.....	7
点燃组别的分类 Specifications of Ignition Group for Flameproof Motors.....	8
隔爆级组及其选用 Selection of Flameproof Motors from Type of Enclosure and Temp.Class.....	8
型号说明 Type Designations.....	9
隔爆型电动机的防爆标记 The Marking of Flameproof Motors.....	9
安装结构型式 Mounting Arrangement (IM).....	9
工作条件 Working Conditions.....	10
轴承型号和电缆入口 Bearings and Cable Entry.....	11
铭牌 Rating Plate.....	12
订货须知 Ordering Information.....	13
产品代码说明 Explanation of the Product Code.....	13
电机技术数据表 Technical Data Table.....	14
外形尺寸图 Dimension Drawing.....	17
M2JAX 高效隔爆电动机变量代码 M2JAX Motor Variant Codes.....	20
M2JAX 高效隔爆电动机, 基本设计概述 M2JAX IE2 Flameproof motor in brief, Basic Design.....	24

M2JAX 系列危险环境用高效隔爆型三相异步电动机 (H80-H355)

M2JAX Series Flameproof Three-phase Induction Motors for Hazardous Environments (H80-H355)

产品概述

M2JAX 系列危险环境用高效隔爆型三相异步电动机，采用“Exd”型防爆，标准防爆级别达到 Ex d II C T4 Gb，广泛适用于石化工厂等危险场所。其外壳能够承受通过外壳任何接触面或结构间隙渗透到电机内部的可燃性混合物造成的爆炸而不致损坏。此外，内部爆炸不会引起电机外部爆炸性环境气体的点燃。

M2JAX 系列防爆电机符合 IEC60079-0:2007 / IEC60079-1:2007 和 GB3836.1-2010 / GB3836.2-2010 等标准，防爆性能通过 CQST 认证，效率等级达到 IEC IE2 高效等级，符合中国 3 级能效标准。

技术特点

- ❖ **噪声低**
通过优化电磁设计、通风状况、结构尺寸等技术，M2JAX 系列电动机的噪声较低。
- ❖ **轴承负载能力高**
电动机选用深沟球轴承，寿命长，机座号 80-132 电动机为永久型润滑，机座号 160-355 电机设有加油装置。
- ❖ **可靠性好**
电动机为全封闭风冷结构，防护等级 IP55，材料及工艺符合环境要求。电动机机械强度高，坚固耐用，防锈防腐性强。绕组可靠性好，采用 F 级绝缘结构，B 级考核。并可根据用户需要增加 PTC 热敏电阻。

Summary

M2JAX series flameproof three-phase induction motors for Explosive atmospheres with "Ex d" type of protection, are designed for "Ex d II C T4 Gb" grade as standard. Motors are extensively applied in chemical, oil and gas industries. The motor enclosure will be able to withstand an explosion of inflammable gas or vapour, which penetrates into the internal part through joints of structural openings. Furthermore, no internal explosion can be transmitted to the explosive atmosphere surrounding the motor.

M2JAX series flameproof motors meet the standard of IEC60079-0:2007/IEC60079-1:2007 and GB3836.1-2010/GB3836.2-2010. It is certified by CQST and the efficiency rating reaches IEC IE2, which is in accordance with China Grade 3 efficiency standard.

Technical Features

- ❖ **Low noise**
The M2JAX range has been designed to minimize motors noise levels, by means of improving magnetic and electrical design, ventilator condition, and structure assembling size and technology.
- ❖ **Bearings with high load capacity**
Motors are provided with deep-groove ball bearings, the lifetime is extended. Motors in sizes 80-132 are greased for life, and those in sizes 160-355 have a refueling device as a standard.
- ❖ **High reliability**
Motor is totally enclosed fan cooled structure with IP55. High mechanical strength and high anticorrosive property. PTC thermistors are available on request.

M2JAX 系列危险环境用高效隔爆型三相异步电动机 (H80-H355)

M2JAX Series Flameproof Three-phase Induction Motors for Hazardous Environments (H80-H355)

标准

M2JAX 系列隔爆型电动机符合下列标准

国际标准	IEC	60079-0 60079-1
中国标准	GB	3836.1 3836.2
欧洲标准	EN	60079-0 60079-1
美国标准	UL	2279
俄罗斯标准	ГОСТ	П51330.0 П51330.1

Ex d 电动机使用场所

1. 防爆危险区分为：0 区、1 区、2 区

区域	区域定义	运用的防爆电机
0 区	爆炸性区域	目前无适合的防爆电机
1 区	容易爆炸区域	隔爆型“d”，增安型“e”
2 区	偶然爆炸区域	隔爆型“d”，增安型“e”，无火花型“nA”电机

2. 场所

石油、天然气和化学等工业部门，在生产过程中有可能产生各种可燃性气体或蒸汽，如炼油厂有丙烷、丁烷、汽油、乙烯及乙炔等；化肥厂有氨、甲醇、氧化碳、水煤气、空气等。这些物质与空气混合后就形成了具有爆炸危险性的混合物，如果这种混合物处于爆炸的温度，又遇有火源时，就会引起爆炸的严重事故。

鼠笼型电动机在正常情况下不产生火花，但在运转过程中，由于绕组绝缘损伤、老化而造成短路，产生火花；或因导电零件连接松动引起电弧，或由于机械故障及其它原因导致电动机过载、堵转产生高温，成为点火源。

因此，各种类型的防爆电动机必须围绕火花、电弧及危险温度采取有效措施。

“Ex d”型隔爆电机是防爆电机的一种防爆形式，其外壳能够承受通过外壳任何接合面或结构间隙渗透到外壳内部的可燃性混合物在内部爆炸而不损坏，并且不会引起外部由一种、多种气体或蒸汽形成的爆炸性气体环境的点燃。

Standards

M2JAX flameproof motors meet the following standards:

International standards	IEC	60079-0 60079-1
Chinese standards	GB	3836.1 3836.2
European standards	EN	60079-0 60079-1
American standards	UL	2279
Russian standards	ГОСТ	П51330.0 П51330.1

Application area of Ex d Motors

1. Explosive potential areas are divided into Zone 0, Zone 1 and Zone 2

Zone	Zone definition	Applicable motors Protection.
0	Explosive zone	No suitable explosion-proof motor now
1	Incidental explosive zone	Flameproof "d", Increased safety "e"
2	Accidental explosive zone	Flameproof "d", Increased safety "e", non-sparking "nA" motors

2. Location

In industries sector such as petroleum, natural gas and chemical, all kinds of inflammable gas or steam may be released in the production process. For instance, refineries have propane, butane, and gasoline, ethylene, and acetylene, etc. Fertilizer plants have ammonia, methanol, carbon oxide, water gas, air, etc. Mixed with air, these substances form a mixture with the risk of explosion. A serious explosive may occur if the mixture is in an explosive ambience, co-existing with tinder.

Normally, squirrel-cage motors do not produce sparks. During operation, sparks may appear due to damaged and aging of winding insulation or electric arcs because of loose connection between electric parts. Mechanical failure or other reasons that may give rise to an overload of the motor and bring high temperature and result in an ignition.

Therefore, effective measures should be taken for all types of flameproof motors against sparks, electric arcs and dangerous temperatures.

"Ex d" flameproof motor is a type of electrical apparatus operating in explosive zones. Its enclosure will be able to suffer from an explosion of inflammable gas or steam, which penetrates into the internal part of it through any joints of structural openings. Furthermore, this explosion will not cause ignition in the external explosive gas atmosphere formed by one or more types of gas or steam.

中外隔爆电机等级的分类 Chinese & International Specifications of Explosion

使用场所 Location	标准代号 Code of Standard	
	GB3836.1-2010/GB3836.2-2010	CENELEC EN60079-1
	隔爆等级 flameproof class	
矿用 For Mines	d I	d I
其它工业用 For other Industries	d II A	d II A
	d II A	d II A
	d II B	d II B
	d II C	d II C

外壳的类别所对应的各种可燃性气体或蒸汽及其分组 To Show the Group of Enclosures Suitable For a Particular Flammable Gas or Vapour and Its Classification

外壳等级 Group of enclosure	按爆炸性混合物的自然温度 (°C) 分组 Temp.class				
	T1	T2	T3	T4	T6
	可燃性气体或气 Flammable gas or vapour				
I	甲烷 Methane 氨 Ammonia 醋酸 Acetic acid	丁醇 Butyl alcohol 酸酐 Acetic anhydride	环己烷 Cyclohexane		
II A	乙烷 Ethane 丙烷 Propane 丙酮 Acetone 苯乙烯 Styrene 苯 Benzene 氯苯 Chlorobenzene 甲醇 Methanol 甲苯 Toluene 一氧化碳 Carbonmonoxide	丁烷 Butane 乙醇 Ethanol 丙烯 Propene 醋酸丁酯 n-Butyl acetate 醋酸戊酯 Amyl acetate 氯乙烷 Chloroethylene 醋酸乙酯 Ethyl acetate	戊烷 Pentane 乙烷 Hexane 庚烷 Heptane 辛烷 Octane 癸烷 Decane 硫化氢 Hydrosulxide 汽油 Gasoline	乙醚 Ether 乙醛 Acetaldeh yde	
II B	氰化氢 Hydrogen cyanide 焦炉煤气 Coal gas	环氧乙烷 Ethylene oxide 丁二烯 Butadiene 1,4- 二氧基已烷 1,4-dioxan 乙烯 Ethyene	异戊二烯 Isopentylens 二甲醚 Dimethylether 丁烯醛 Butenal 乙硫醇 Ethanethiol	乙基甲基醚 Ethyl methyl ether 二乙醚 Ethyl oxide 二丁醚 Butyl oxide 四氟乙烯 Tetrafluoroethylene	
II C	水煤气 Water gas 氢 Hydrogen	乙炔 Acetylene			二硫化碳 Carbon disulfide

点燃组别的分类

Specifications of Ignition Group for Flameproof Motors

GB3836.1、IEC60079-0、EN60079-0	
组别 Ignition group	点燃温度°C Ignition temperature
T1	450
T2	300
T3	200
T4	135
T5	100
T6	85

隔爆级组及其选用

Selection of Flameproof Motors from Type of Enclosure and Temp.Class

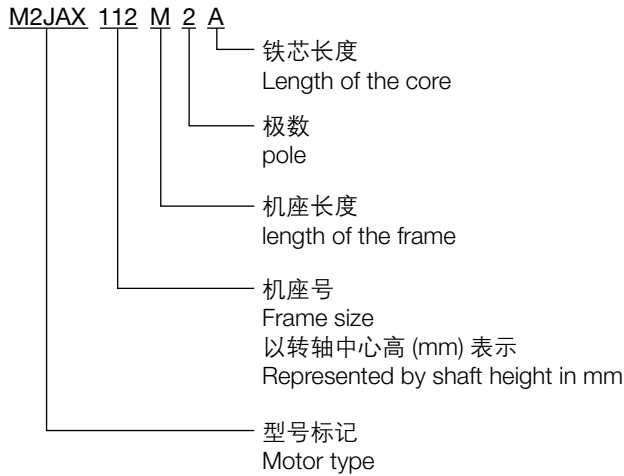
选用电动机时，必须根据环境中爆炸性混合物的级、组来确定。当环境中含多种爆炸性混合物时，须按级别与组别最高者选用。

- I 适用于有爆炸性混合物存在的地下煤矿和工厂。
- II A T4 适用于工厂为 A 类，温度组别为 T1~T4 组的爆炸性气体环境。
- II B T4 适用于工厂为 B 类，温度组别为 T1~T4 组的爆炸性气体环境。
- II C T4 适用于工厂为 C 类，温度组别为 T1~T4 组的爆炸性气体环境。

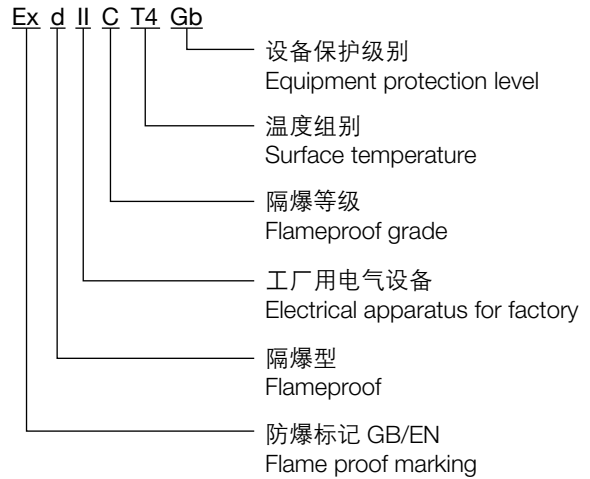
Selection of a motor should be according to the group of explosive mixture and the temp.class.existed in the location. if the location contains several groups of explosive mixtures, the selection should be according to the highest group and temp.class.

- I :Suitable for underground coal mines and locations where explosive mixtures classified in group exist.
- II A T4: Suitable for factory where explosive gas atmosphere in Group II A and temp.classes T1-T4 exist.
- II B T4: Suitable for factory where explosive gas atmosphere in Group II B and temp.classes T1-T4 exist.
- II C T4: Suitable for factory where explosive gas atmosphere in Group II C and temp.classes T1-T4 exist.

型号说明 Type Designations



隔爆型电动机的防爆标记 The Marking of Flameproof Motors



安装结构型式

- ❖ B3 机座带底脚，端盖无凸缘。
- ❖ B5 机座不带底脚，端盖有凸缘。
- ❖ B35 机座带底脚，端盖有凸缘。

Mounting Arrangement (IM)

- ❖ B3 Foot-mounted motor
- ❖ B5 Flange-mounted motor
- ❖ B35 Foot-mounted and flange-mounted motor

基本结构形式 Fundamental arrangement	IMB3 (IM1001)					
安装结构形式 Mounting arrangement	IMB3 (IM1001)	IMB6 (IM1051)	IMB7 (IM1061)	IMB8 (IM1071)	IMV5 (IM1011)	IMV6 (IM1031)
示意图 Diagram						
制造范围 (机座号) Range of manufacture (frame size)	80~355	80~225				

基本结构形式 Fundamental arrangement	IMB5 (3001)			IMB35 (2001)		
安装结构形式 Mounting arrangement	IMB5 (IM3001)	IMV1 (IM3011)	IMV3 (IM3031)	IMB35 (IM2001)	IMV15 (IM2011)	IMV35 (IM2031)
示意图 Diagram						
制造范围 (机座号) Range of manufacture (frame size)	80~280	80~355	80~225	80~355	80~355	80~225

工作条件

环境空气温度随季节而变但不超过 -20°C ~ $+40^{\circ}\text{C}$

海拔: 不超过 1000m

频率: 50Hz

电压: 220V/230V/380V/400V/660V/690V

工作方式: 连续 (S1)

起动方式: 满压起动、Y- 起动或电抗起动

传动方式: 可采用弹性联轴器或正齿轮传动

绝缘、升温: F级。定子绕组温升限值为 80K 即按 B 级考核 (电阻法)
其中机座号 315L 2P, 机座号 355 2P, 355L 4、6P 电机
允许按 105k 考核。轴承允许温度不超过 95°C (温度
计法)。

冷却方法: IC411

Ex 认证适用于不带变频器驱动的转速固定的电动机。

Working Conditions

Ambient temperature: to be altered with the change of seasons, but do not exceed -20°C $+40^{\circ}\text{C}$

Altitude: to be used lower than 1,000 meters above sea level.

Rated frequency: 50Hz

Rated voltage: 220V/230V/380V/400V/660V/690V

Duty: Continuous (S1)

Method of starting: can be started on full voltage motors and can be started with, y- starter or reactor.

Driving method: flexible coupling or spur gear can be used for driving.

Insulation and temperature rise: class F. But the temp. rise of the stator windings is limited at 80K, i.e. treated as class B (resistance method). Permissible working temp. of bearing should not be over 95°C (thermometer method).

Cooling method: IC411

Ex certification applies to a fixed speed motor without frequency converter.

轴承型号和电缆入口 Bearings and Cable Entry

下表列出了标准配置下的单列深沟球轴承。80-132 标配封闭轴承，160-355 标配开启式轴承。

1、The motors are normally fitted with single-row deep groove ball bearings as listed in the table below.

2、Close-type bearing is provided as standard for 80-132, open-type bearing for 160-355.




Type	poles	standard bearing type		cable entry(mm)	
		D-end	N-end	主电缆孔 Main	辅助接线孔 * Auxiliary
80M	2,4,6	6204-2Z C3	6204-2Z C3	1-M25 × 1.5	2-M20 × 1.5
90S	2,4,6	6205-2Z C3	6205-2Z C3	1-M25 × 1.5	2-M20 × 1.5
90L	2,4,6	6205-2Z C3	6205-2Z C3	1-M25 × 1.5	2-M20 × 1.5
100L	2,4,6	6206-2Z C3	6206-2Z C3	1-M32 × 1.5	2-M20 × 1.5
112M	2,4,6	6207-2Z C3	6207-2Z C3	1-M32 × 1.5	2-M20 × 1.5
132S	2,4,6	6208-2Z C3	6208-2Z C3	1-M32 × 1.5	2-M20 × 1.5
132M	2,4,6	6208-2Z C3	6208-2Z C3	1-M32 × 1.5	2-M20 × 1.5
160M	2,4,6	6309 C3	6309 C3	2-M40 × 1.5	2-M20x1.5
160L	2,4,6	6309 C3	6309 C3	2-M40 × 1.5	2-M20x1.5
180M	2,4,6	6310 C3	6309 C3	2-M40 × 1.5	2-M20x1.5
180L	2,4,6	6310 C3	6309 C3	2-M40 × 1.5	2-M20x1.5
200L	2,4,6	6312 C3	6310 C3	2-M50 × 1.5	2-M20 × 1.5
225S	2,4,6	6313 C3	6312 C3	2-M50 × 1.5	2-M20 × 1.5
225M	2,4,6	6313 C3	6312 C3	2-M50 × 1.5	2-M20 × 1.5
250M	2,4,6	6315 C3	6313 C3	2-M63 × 1.5	2-M20 × 1.5
280S	2	6316 C3	6316 C3	2-M63 × 1.5	2-M20 × 1.5
280S	4,6	6316 C3	6316 C3	2-M63 × 1.5	2-M20 × 1.5
280M	2	6316 C3	6316 C3	2-M63 × 1.5	2-M20 × 1.5
280M	4,6	6316 C3	6316 C3	2-M63 × 1.5	2-M20 × 1.5
315S	2	6316 C3	6316 C3	2-M63 × 1.5	2-M20 × 1.5
315S	4,6	6319 C3	6316 C3	2-M63 × 1.5	2-M20 × 1.5
315M	2	6316 C3	6316 C3	2-M63 × 1.5	2-M20 × 1.5
315M	4,6	6319 C3	6316 C3	2-M63 × 1.5	2-M20 × 1.5
315L	2	6316 C3	6316 C3	2-M63 × 1.5	2-M20 × 1.5
315L	4,6	6319 C3	6316 C3	2-M63 × 1.5	2-M20 × 1.5
355M	2	6319M C3	6319M C3	2-M80 × 1.5	2-M20 × 1.5
355M	4,6	6322 C3	6319 C3	2-M80 × 1.5	2-M20 × 1.5
355L	2	6319M C3	6319M C3	2-M80 × 1.5	2-M20 × 1.5
355L	4,6	6322 C3	6319 C3	2-M80 × 1.5	2-M20 × 1.5






* 辅助接线孔为需要时的 PTC，加热元件出线孔，表中所列为最大可配置数，用户可在其中进行选配。如果用户无特殊要求为标准配置，只有主电缆孔。

* Auxiliary cable entries are available when PTC and heating component are needed. There are the max. auxiliary cable entries listing in the table and can be chosen by customers. The standard motor only have main cable entry if there are no special requirements.

铭牌

Rating Plate

ABB		 ABB Motors 上海ABB电机有限公司	
3~mot. M2JAX80M2A			
2845/2860	r/min	0.75	kW/Exd II CT4 Gb
cos ϕ 0.86/0.85	Cl. F	IP 55	AMB 40 °C
V	220 Δ /380Y	A	2.96/1.71 50
	230 Δ /400Y		2.86/1.65 50
3GJA081301-ASD		Eff 77.4%	
6204-2Z/C3 		6204-2Z/C3 kg	
Q/JBQS 58		No.	
Cert.No.			
		IEC60034-1	
		Date 	

 ABB		ABB Motors 上海ABB电机有限公司			
3~motor M2JAX280S6A					
IEC		Ex d II CT4 Gb			
S1	Eff 92.7%	No.			
Date		Ins.cl. F	IP 55	AMB 40 °C	
V	Hz	kW	r/min	A	cos ϕ
690Y	50	45	985	47.8	0.85
400 Δ	50	45	985	82.4	0.85
660Y	50	45	985	49.4	0.86
380 Δ	50	45	985	85.8	0.86
Prod.code 3GJA283101-ADD					
Cert.No.					
6316/C3 		6316/C3		kg	
		IEC 60034-1			
		Q/JBQS 58			

订货须知

订货举例

订购电动机时，请详细说明电动机型号、规格和产品代码。电动机的产品代码有不同的组成方法，下面列举一些例子。

A 订货时，请详细说明电动机型号、功率、同步转速、电压、频率、安装结构形式、防爆等级、防护等级和接线盒进线方式（包括进出口数目）等。

例：M2JAX 160M4A、11KW，1500r/min，400/690V，50Hz，IMB3，Ex d II C T4 Gb，IP55，两个出线孔

B 订货时，请尽量选用样本所列规格产品，如有特殊要求，经双方协议后也可供应。

Ordering Information

Sample order

When placing an order, the motor type, size and product code must be specified. The product code of the motor is composed in various ways, in accordance with the following examples.

A When place an order for a motor, please specify its type, output, speed, voltage, frequency, mounting arrangement, explosive mixture group and temp, class, degree of protection and way of supply cable (including entry amount).

Example: M2JAX 160M4A, 11KW, 1500r/min, 400/690V, 50Hz, IMB3, Ex d II C T4 Gb, IP55, double entry.

B When place an order, please choose the motor that is listed in this catalogue. special orders for motors not listed can also be available upon request.

A	B	C					D, E, F, G				
M2JAX	100L2A	3GJA	10	1	5	01	-	A	S	D	X
		1-4	5-6	7	8-10	11	12	13	14	15	

A 电动机型号
B 电动机规格
C 产品代码
D 安装型式代码
E 电压和频率代码
F 产地代码

A Motor type
B Motor size
C Product code
D Mounting arrangement code
E Voltage and frequency code
F Generation code

产品代码说明

Explanation of the Product Code

第 1 位 ~ 第 4 位 Positions 1 and 4

3GJA= 危险环境用防爆型三相异步电动机
3GJA=Flameproof three-phase induction motors for hazardous environment

第 5 位 ~ 第 6 位 Positions 5 and 6

IEC 机座号

IEC frame

07 = 71	13 = 132	25 = 250
08 = 80	16 = 160	28 = 280
09 = 90	18 = 180	31 = 315
10 = 100	20 = 200	35 = 355
11 = 112	22 = 225	

第 7 位 转速 (极数)

1=2 极	6=12 极
2=4 极	7=>12 极
3=6 极	8= 双速
4=8 极	9= 多速
5=10 极	

第 8 位 ~ 第 10 位 编号

Positions 7 Speed(pole pairs)

1=2poles	6=12poles
2=4poles	7=>12poles
3=6poles	8=Two-speed motors
4=8poles	9=multi-speed motors
5=10poles	

Positions 8 to 10 Running number series

第 11 位 -(破折号)

Positions 11 -(dash)

第 12 位 安装型式

A= 底脚安装，接线盒顶置
B= 大法兰安装
C= 小法兰安装 (80-160)
H= 底脚和法兰安装

Positions 12 Mounting arrangement

A=Foot-mounted, top-mounted terminal box
B=Flange-mounted, large flange
C=Flange-mounted, small flange size(80-160)
H=Foot-and flange-mounted

第 13 位 电压和频率代码 见相应页上的表格

Positions 13 Voltage and frequency code See tables on appropriate page

第 14 位 产地代码

D

Positions 14 Generation code

D

第 15 位 VC 标识代码 X

Positions 15 VC Identifying code X

电机技术数据表

Technical Data Table

F 级绝缘 Insulation class F
 B 级考核 Temperature rise class B
 *F 级考核 Temperature rise class F

IP55 IC411

380V 50Hz											
功率 Output kW	型号规格 Type designation	产品代码 Product code	转速 Speed n r/min	功率 Efficiency		功率因数 Power factor cos φ	电流 Current		转矩 Torque		
				Full load 100% η			额定电流 IN A	堵转电流 额定电流 Is/IN	额定转矩 TN Nm	堵转转矩 额定转矩 Ts/TN	最大转矩 额定转矩 TMAX/TN
3000r/min=2 poles basic design											
0.75	M2JAX	80M2A 3GJA	081301-*SD	2845	77.4	0.86	1.71	6.1	2.52	2.2	2.3
1.1		80M2B	081302-*SD	2845	79.6	0.87	2.41	6.3	3.69	2.2	2.3
1.5		90S2A	091101-*SD	2860	81.3	0.87	3.22	6.7	5.01	2.2	2.3
2.2		90L2A	091501-*SD	2865	83.2	0.87	4.62	6.7	7.33	2.2	2.3
3		100L2A	101501-*SD	2860	84.6	0.89	6.05	6.7	10.0	2.1	2.3
4		112M2A	111301-*DD	2880	85.8	0.89	7.96	7.4	13.3	2.3	2.4
5.5		132S2A	131101-*DD	2910	87.0	0.89	10.8	7.4	18.0	2.1	2.4
7.5		132S2B	131102-*DD	2905	88.1	0.89	14.5	7.4	24.7	2.1	2.4
11		160M2A	161301-*DD	2930	89.4	0.89	21.0	7.4	35.9	2.1	2.6
15		160M2B	161302-*DD	2935	90.3	0.905	27.9	7.4	48.8	2.2	2.6
18.5		160L2A	161501-*DD	2935	90.9	0.905	34.2	7.4	60.2	2.2	2.6
22		180M2A	181301-*DD	2945	91.3	0.91	40.2	7.1	71.3	2.5	2.7
30		200L2A	201501-*DD	2955	92.0	0.905	54.7	7.1	97.0	2.1	2.5
37		200L2B	201502-*DD	2955	92.5	0.905	67.2	7.1	120	2.1	2.5
45		225M2A	221301-*DD	2970	92.9	0.90	81.8	7.1	145	2.2	2.5
55		250M2A	251301-*DD	2965	93.2	0.905	99.1	7.4	177	2.0	2.7
75		280S2A	281101-*DD	2975	93.8	0.91	133	7.4	241	2.2	2.7
90		280M2A	281301-*DD	2975	94.1	0.91	160	7.4	289	2.4	2.7
110		315S2A	311101-*DD	2970	94.3	0.905	196	6.8	354	1.7	2.1
132		315M2A	311301-*DD	2975	94.6	0.90	236	6.8	424	1.7	2.1
160 *		315L2A	311501-*DD	2975	94.8	0.90	285	7.1	514	1.7	2.1
200 *		315L2B	311502-*DD	2975	95.0	0.91	351	7.1	642	2.1	2.1
250 *		355M2A	351301-*DD	2975	95.0	0.90	444	6.7	803	1.8	2.1
315 *		355L2A	351501-*DD	2980	95.0	0.90	560	6.7	1009	1.8	2.2
380V 50Hz											
功率 Output kW	型号规格 Type designation	产品代码 Product code	转速 Speed n r/min	功率 Efficiency		功率因数 Power factor cos φ	电流 Current		转矩 Torque		
				Full load 100% η			额定电流 IN A	堵转电流 额定电流 Is/IN	额定转矩 TN Nm	堵转转矩 额定转矩 Ts/TN	最大转矩 额定转矩 TMAX/TN
1500r/min=4 poles basic design											
0.55	M2JAX	80M4A 3GJA	082301-*SD	1415	73.5	0.77	1.48	5.2	3.71	2.2	2.4
0.75		80M4B	082302-*SD	1415	79.6	0.77	1.86	5.7	5.06	2.2	2.4
1.1		90S4A	092101-*SD	1425	81.4	0.76	2.70	5.7	7.37	2.2	2.5
1.5		90L4A	092501-*SD	1425	82.8	0.76	3.62	5.7	10.1	2.2	2.5
2.2		100L4A	102501-*SD	1440	84.3	0.82	4.84	6.2	14.6	2.1	2.5
3		100L4B	102502-*SD	1440	85.5	0.83	6.42	6.2	19.9	2.1	2.5
4		112M4A	112301-*DD	1440	86.6	0.84	8.35	7.1	26.5	2.1	2.5
5.5		132S4A	132101-*DD	1440	87.7	0.83	11.5	7.1	36.5	2.5	2.5
7.5		132M4A	132301-*DD	1445	88.7	0.86	14.9	7.4	49.6	2.5	2.5
11		160M4A	162301-*DD	1470	89.8	0.85	21.9	7.4	71.5	2.1	2.6
15		160L4A	162501-*DD	1470	90.6	0.875	28.7	7.4	97.4	2.1	2.6
18.5		180M4A	182301-*DD	1475	91.2	0.88	35.0	7.1	120	2.2	2.6
22		180L4A	182501-*DD	1470	91.6	0.88	41.5	7.1	143	2.2	2.6
30		200L4A	202501-*DD	1475	92.3	0.88	56.1	7.1	194	2.1	2.5
37		225S4A	222101-*DD	1480	92.7	0.88	68.9	7.1	239	2.2	2.7
45		225M4A	222301-*DD	1480	93.1	0.88	83.5	7.1	290	2.2	2.7
55		250M4A	252301-*DD	1480	93.5	0.88	102	7.1	355	2.2	2.5
75		280S4A	282101-*DD	1480	94.0	0.88	138	6.7	484	2.1	2.2
90		280M4A	282301-*DD	1480	94.2	0.88	165	6.7	581	2.1	2.2
110		315S4A	312101-*DD	1485	94.5	0.885	200	6.7	707	2.1	2.3
132		315M4A	312301-*DD	1485	94.7	0.885	239	6.7	849	2.3	2.3
160		315L4A	312501-*DD	1485	94.9	0.88	291	6.7	1029	2.1	2.3
200		315L4B	312502-*DD	1485	95.1	0.88	363	6.7	1286	2.1	2.3
250		355M4A	352301-*DD	1490	95.1	0.89	449	7.1	1602	2.0	2.3
315 *		355L4A	352501-*DD	1485	95.1	0.89	565	7.1	2026	2.0	2.2

电机技术数据表

Technical Data Table

IP55 IC411

F 级绝缘 Insulation class F
 B 级考核 Temperature rise class B
 *F 级考核 Temperature rise class F

400V 50Hz												
功率 Output kW	型号规格 Type designation	转速 Speed n r/min	功率 Efficiency		功率因数 Power factor cos φ	电流 Current		转矩 Torque			噪声 Sound pressure level Lp dB(A)	重量 Weight kg
			Full load 100% η			额定电流 IN A	堵转电流 Is/IN	额定转矩 TN Nm	堵转转矩 Ts/TN	最大转矩 TMAX/TN		
3000r/min=2 poles basic design												
0.75	M2JAX	80M2A	2860	77.4	0.85	1.65	6.4	2.50	2.3	2.4	58	33
1.1		80M2B	2860	79.6	0.86	2.32	6.6	3.67	2.3	2.4	58	36
1.5		90S2A	2875	81.3	0.86	3.10	7.0	4.98	2.3	2.4	61	39
2.2		90L2A	2880	83.2	0.86	4.44	7.0	7.30	2.3	2.4	61	46
3		100L2A	2875	84.6	0.88	5.82	7.0	9.97	2.2	2.4	65	58
4		112M2A	2895	85.8	0.88	7.65	7.8	13.2	2.4	2.5	67	67
5.5		132S2A	2920	87.0	0.88	10.4	7.8	18.0	2.2	2.5	70	84
7.5		132S2B	2915	88.1	0.89	13.8	7.8	24.6	2.2	2.5	70	85
11		160M2A	2940	89.4	0.89	20.0	7.8	35.7	2.2	2.7	72	156
15		160M2B	2945	90.3	0.895	26.8	7.8	48.6	2.3	2.7	72	168
18.5		160L2A	2945	90.9	0.90	32.6	7.8	60.0	2.3	2.7	72	195
22		180M2A	2950	91.3	0.89	39.1	7.5	71.2	2.6	2.8	75	218
30		200L2A	2960	92.0	0.90	52.3	7.5	96.8	2.2	2.6	82	307
37		200L2B	2960	92.5	0.90	64.2	7.5	119	2.2	2.6	82	342
45		225M2A	2975	92.9	0.89	78.6	7.5	144	2.3	2.6	82	410
55		250M2A	2970	93.2	0.90	94.6	7.8	177	2.1	2.8	84	527
75		280S2A	2980	93.8	0.90	128	7.8	240	2.3	2.8	85	696
90		280M2A	2980	94.1	0.90	153	7.8	288	2.5	2.8	85	773
110		315S2A	2980	94.3	0.90	187	7.2	353	1.8	2.2	88	1179
132		315M2A	2980	94.6	0.90	224	7.2	423	1.8	2.2	88	1313
160 *		315L2A	2975	94.8	0.90	271	7.5	514	1.8	2.2	88	1422
200 *		315L2B	2980	95.0	0.90	338	7.5	641	2.2	2.2	88	1408
250 *		355M2A	2980	95.0	0.90	422	7.0	801	1.8	2.2	89	1815
315 *		355L2A	2980	95.0	0.90	532	7.0	1009	1.8	2.2	89	2191
400V 50Hz												
功率 Output kW	型号规格 Type designation	转速 Speed n r/min	功率 Efficiency		功率因数 Power factor cos φ	电流 Current		转矩 Torque			噪声 Sound pressure level Lp dB(A)	重量 Weight kg
			Full load 100% η			额定电流 IN A	堵转电流 Is/IN	额定转矩 TN Nm	堵转转矩 Ts/TN	最大转矩 TMAX/TN		
1500r/min=4 poles basic design												

电机技术数据表

Technical Data Table

F 级绝缘 Insulation class F
 B 级考核 Temperature rise class B
 *F 级考核 Temperature rise class F

IP55 IC411

380V 50Hz												
功率 Output kW	型号规格 Type designation	产品代码 Product code	转速 Speed n r/min	功率 Efficiency		功率因数 Power factor cos φ	电流 Current		转矩 Torque			
				Full load 100% η			额定电流 IN A	堵转电流 Is/IN	额定转矩 TN Nm	堵转转矩 Ts/TN	最大转矩 TMAX/TN	
1000r/min=6 poles Basic design												
0.37	M2JAX	80M6A 3GJA	083301-*SD	910	68.0	0.73	1.13	4.3	3.88	1.9	2.1	
0.55		80M6B	083302-*SD	925	71.0	0.73	1.61	4.3	5.68	1.9	2.1	
0.75		90S6A	093101-*SD	940	75.9	0.72	2.09	4.8	7.62	2.1	2.2	
1.1		90L6A	093501-*SD	940	78.1	0.73	2.93	4.8	11.2	2.1	2.2	
1.5		100L6A	103501-*SD	945	79.8	0.74	3.86	5.2	15.2	1.9	2.2	
2.2		112M6A	113301-*SD	950	81.8	0.74	5.52	5.7	22.1	1.8	2.2	
3		132S6A	133101-*SD	960	83.3	0.76	7.20	6.2	29.8	1.9	2.2	
4		132M6A	133301-*DD	960	84.6	0.76	9.45	6.7	39.8	2.2	2.2	
5.5		132M6B	133302-*DD	965	86.0	0.77	12.6	6.7	54.4	2.4	2.2	
7.5		160M6A	163301-*DD	970	87.2	0.795	16.4	6.8	73.8	2.0	2.4	
11		160L6A	163501-*DD	970	88.7	0.805	23.4	6.8	108	2.0	2.4	
15		180L6A	183501-*DD	970	89.7	0.84	30.2	6.2	148	2.0	2.5	
18.5		200L6A	203501-*DD	975	90.4	0.84	37.0	6.7	181	2.0	2.4	
22		200L6B	203502-*DD	975	90.9	0.84	43.8	6.7	215	2.0	2.4	
30		225M6A	223301-*DD	980	91.7	0.84	59.2	7.1	292	2.1	2.5	
37		250M6A	253301-*DD	980	92.2	0.87	70.1	6.5	361	2.0	2.5	
45		280S6A	283101-*DD	985	92.7	0.86	85.8	7.1	436	2.1	2.4	
55		280M6A	283301-*DD	985	93.1	0.865	104	7.1	533	2.1	2.4	
75		315S6A	313101-*DD	990	93.7	0.86	141	6.2	723	1.9	2.1	
90		315M6A	313301-*DD	990	94.0	0.86	169	6.2	868	1.9	2.1	
110		315L6A	313501-*DD	990	94.3	0.86	206	6.2	1061	1.9	2.1	
132		315L6B	313502-*DD	990	94.6	0.87	244	6.2	1273	1.9	2.1	
160		355M6A	353301-*DD	990	94.8	0.86	298	6.7	1543	1.9	2.0	
200		355M6B	353302-*DD	990	95.0	0.86	372	6.7	1929	1.9	2.0	
250 *		355L6A	353501-*DD	990	95.0	0.87	460	6.7	2412	1.7	2.0	

400V 50Hz												
功率 Output kW	型号规格 Type designation	转速 Speed n r/min	功率 Efficiency		功率因数 Power factor cos φ	电流 Current		转矩 Torque			噪声 Sound pressure level Lp dB(A)	重量 Weight kg
			Full load 100% η			额定电流 IN A	堵转电流 Is/IN	额定转矩 TN Nm	堵转转矩 Ts/TN	最大转矩 TMAX/TN		
1000r/min=6 poles Basic design												
0.37	M2JAX	80M6A	920	68.0	0.70	1.12	4.5	3.84	2.0	2.2	45	33
0.55		80M6B	930	71.0	0.71	1.57	4.5	5.65	2.0	2.2	45	35
0.75		90S6A	950	75.9	0.68	2.10	5.0	7.54	2.1	2.3	50	39
1.1		90L6A	950	78.1	0.70	2.90	5.0	11.1	2.1	2.3	50	47
1.5		100L6A	955	79.8	0.72	3.77	5.5	15.0	2.0	2.3	51	63
2.2		112M6A	955	81.8	0.72	5.39	6	22.0	1.9	2.3	54	61
3		132S6A	965	83.3	0.74	7.02	6.5	29.7	2.0	2.3	56	84
4		132M6A	965	84.6	0.74	9.22	7.0	39.6	2.3	2.3	56	88
5.5		132M6B	970	86.0	0.75	12.3	7.0	54.1	2.5	2.3	56	106
7.5		160M6A	975	87.2	0.78	15.9	7.2	73.5	2.1	2.5	62	164
11		160L6A	975	88.7	0.79	22.7	7.2	108	2.1	2.5	62	194
15		180L6A	975	89.7	0.82	29.4	6.5	147	2.1	2.6	63	214
18.5		200L6A	980	90.4	0.83	35.6	7.0	180	2.1	2.5	64	298
22		200L6B	980	90.9	0.83	42.1	7.0	214	2.1	2.5	64	312
30		225M6A	985	91.7	0.82	57.6	7.5	291	2.2	2.6	66	390
37		250M6A	985	92.2	0.85	68.1	6.8	359	2.1	2.6	68	514
45		280S6A	985	92.7	0.85	82.4	7.5	436	2.2	2.5	70	633
55		280M6A	985	93.1	0.86	99.2	7.5	533	2.2	2.5	70	745
75		315S6A	990	93.7	0.85	136	6.5	723	2.0	2.2	70	1211
90		315M6A	990	94.0	0.85	163	6.5	868	2.0	2.2	70	1295
110		315L6A	990	94.3	0.85	198	6.5	1061	2.0	2.2	70	1359
132		315L6B	990	94.6	0.86	234	6.5	1273	2.0	2.2	70	1481
160		355M6A	990	94.8	0.84	290	7.0	1543	2.0	2.1	75	1708
200		355M6B	990	95.0	0.86	353	7.0	1929	2.0	2.1	75	2005
250 *		355L6A	990	95.0	0.865	439	7.0	2412	1.8	2.1	75	2579

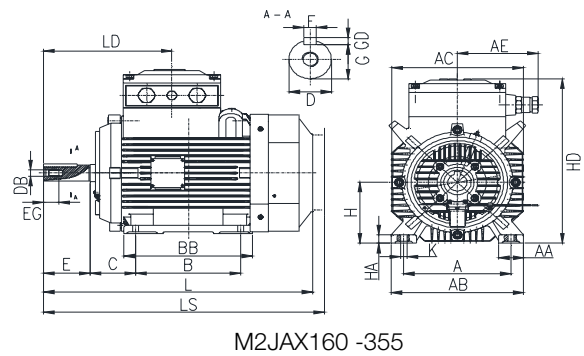
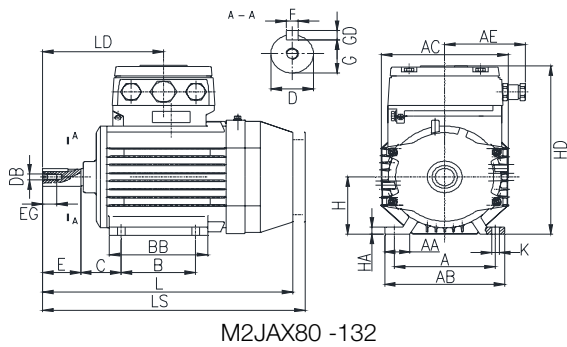
外形尺寸图

Dimension Drawing

Foot-mounted motor designation IM B3, IM B6, IM B7, IM V5, IM V6

Cast iron Motor
Type M2JAX 80-355

三相电动机，底脚安装，接线盒顶置
three-phase motor, foot-mounted, terminal box top-mounted



Type M2JAX	Poles	A	AA	AB	AC	B	BB	C	D	E	F	G	GD	DB	EG
80M	2-6	125	33	158	158	100	130	50	19	40	6	15.5	6	M6	16
90S	2-6	140	33	173	175	100	136	56	24	50	8	20	7	M8	19
90L	2-6	140	33	173	175	125	161	56	24	50	8	20	7	M8	19
100L	2-6	160	40	190	200	140	178	63	28	60	8	24	7	M10	22
112M	2-6	190	40	222	216	140	170	70	28	60	8	24	7	M10	22
132S	2-6	216	54	250	251	140	220	89	38	80	10	33	8	M12	28
132M	2-6	216	54	250	251	178	220	89	38	80	10	33	8	M12	28
160M	2-6	254	60	314	312	210	265	108	42	110	12	37	8	M16	36
160L	2-6	254	60	314	312	254	310	108	42	110	12	37	8	M16	36
180M	2-6	279	70	349	353	241	311	121	48	110	14	42.5	9	M16	36
180L	2-6	279	70	349	353	279	349	121	48	110	14	42.5	9	M16	36
200L	2-6	318	70	388	390	305	390	133	55	110	16	49	10	M20	36
225S	4-6	356	75	432	436	286	370	149	60	140	18	53	11	M20	39
225M	2	356	75	432	436	311	403	149	55	110	16	49	10	M20	39
225M	4-6	356	75	432	436	311	403	149	60	140	18	53	11	M20	39
250M	2	406	80	484	487	349	470	168	60	140	18	53	11	M20	39
250M	4-6	406	80	484	487	349	470	168	65	140	18	58	11	M20	39
280S	2	457	85	542	548	368	485	190	65	140	18	58	11	M20	39
280S	4-6	457	85	542	548	368	485	190	75	140	20	67.5	12	M20	39
280M	2	457	85	542	548	419	536	190	65	140	18	58	11	M20	39
280M	4-6	457	85	542	548	419	536	190	75	140	20	67.5	12	M20	39
315S	2	508	120	626	624	406	570	216	65	140	18	58	11	M20	39
315S	4-6	508	120	626	624	406	570	216	80	170	22	71	14	M20	39
315M	2	508	120	626	624	457	680	216	65	140	18	58	11	M20	39
315M	4-6	508	120	626	624	457	680	216	80	170	22	71	14	M20	39
315L	2	508	120	626	624	508	680	216	65	140	18	58	11	M20	39
315L	4-6	508	120	626	624	508	680	216	80	170	22	71	14	M20	39
355M	2	610	120	730	698	560	750	254	70	140	20	62.5	12	M20	39
355M	4-6	610	120	730	698	560	750	254	100	210	28	90	16	M24	47
355L	2	610	120	730	698	630	750	254	70	140	20	62.5	12	M20	42
355L	4-6	610	120	730	698	630	750	254	100	210	28	90	16	M24	47

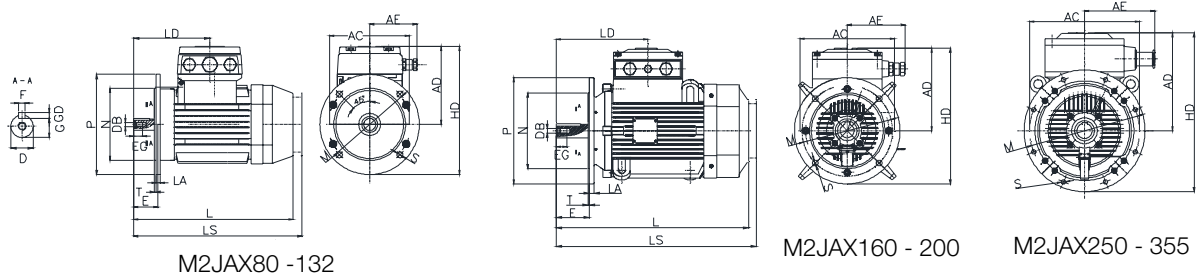
外形尺寸图

Dimension Drawing

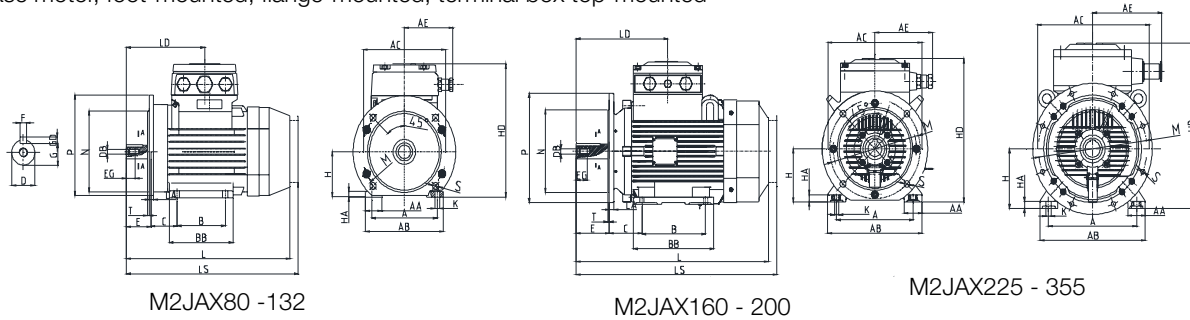
Flange-mounted, mounting IM B5, IM V1, IM V3
Foot and flange-mounted, mounting designation IM B35, IM V15, IM36

Cast iron Motor
Type M2JAX 80-355

三相电动机，法兰安装，接线盒顶端
three-phase motor, foot and flange mounted, terminal box top-mounted



三相电动机，底脚安装，端盖带凸缘，接线盒顶置
three-phase motor, foot-mounted, flange-mounted, terminal box top-mounted



Type M2JAX	Poles	H	HA	HD	AE	K	L	LD	AD	LA	M	N	P	S	T	LS
80M	2-6	80	11	266.5	128	10	329.5	151	182.5	12	165	130	200	12	3.5	343.5
90S	2-6	90	12	277	128	10	384	163	185	12	165	130	200	12	3.5	396.5
90L	2-6	90	12	277	128	10	414	163	185	12	165	130	200	12	3.5	426.5
100L	2-6	100	12	298.5	138	12	480.8	185	198.5	11	215	180	250	15	4	494
112M	2-6	112	15	317.5	138	12	480.8	198.5	205.5	11	215	180	250	15	4	493.5
132S	2-6	132	16	355.5	138	12	515.3	219.5	223.5	12	265	230	300	15	4	530
132M	2-6	132	16	355.5	138	12	515.3	219.5	223.5	12	265	230	300	15	4	530
160M	2-6	160	22	463	203	15	637.5	304	303	15	300	250	350	19	5	677.5
160L	2-6	160	22	463	203	15	681.5	304	303	15	300	250	350	19	5	721.5
180M	2-6	180	22	481	203	15	710	313	301	18	300	250	350	19	5	763.5
180L	2-6	180	22	481	203	15	748	313	301	18	300	250	350	19	5	801.5
200L	2-6	200	25	616	242	19	806	362	416	20	350	300	400	19	5	858.5
225S	4-6	225	28	658	242	19	834	392	421	20	400	350	450	19	5	887
225M	2	225	28	658	242	19	829	362	421	20	400	350	450	19	5	882
225M	4-6	225	28	658	242	19	859	392	421	20	400	350	450	19	5	912
250M	2	250	30	708.5	295	24	960.5	422	448.5	22	500	450	550	19	5	1067.5
250M	4-6	250	30	708.5	295	24	960.5	422	448.5	22	500	450	550	19	5	1067.5
280S	2	280	35	761.5	295	24	1025	445	471	22	500	450	550	19	5	1142
280S	4-6	280	35	761.5	295	24	1025	445	471	22	500	450	550	19	5	1142
280M	2	280	35	761.5	295	24	1076	445	471	22	500	450	550	19	5	1193
280M	4-6	280	35	761.5	295	24	1076	445	471	22	500	450	550	19	5	1193
315S	2	315	45	991	365	28	1225	430	666	25	600	550	660	24	6	1367
315S	4-6	315	45	991	365	28	1257	462	666	25	600	550	660	24	6	1399
315M	2	315	45	991	365	28	1335	430	666	25	600	550	660	24	6	1477
315M	4-6	315	45	991	365	28	1367	462	666	25	600	550	660	24	6	1509
315L	2	315	45	991	365	28	1335	430	666	25	600	550	660	24	6	1477
315L	4-6	315	45	991	365	28	1367	462	666	25	600	550	660	24	6	1509
355M	2	355	52	1064	370	35	1537	459.5	699	25	740	680	800	24	6	1679
355M	4-6	355	52	1064	370	35	1607.5	530	699	25	740	680	800	24	6	1749.5
355L	2	355	52	1064	370	35	1537	459.5	699	25	740	680	800	24	6	1679
355L	4-6	355	52	1064	370	35	1607.5	530	699	25	740	680	800	24	6	1749.5

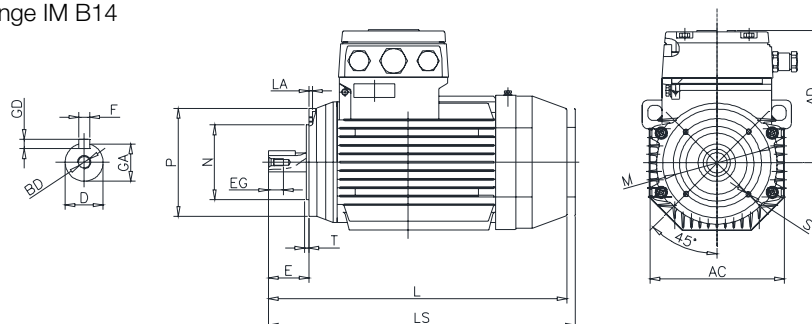
外形尺寸图

Dimension Drawing

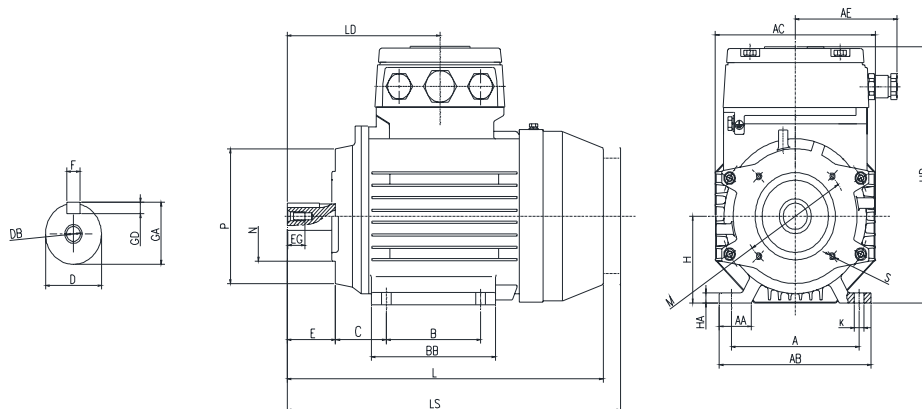
Foot-mounted motor designation IM B3, IM B6, IM B7, IM V5, IM V6

Cast iron motor
Type M2JAX 80-355

小法兰安装, IM B14
flange mounted motor, small flange IM B14



接线盒顶置, IM B34
Terminal box top-mounted IM B34



Type M2JAX	Poles	A	AA	AB	AC	B	BB	C	D	E	F	G	GD	DB	EG	H	HA	HD	K	L	LD	AD	LA	LS
80M	2-6	125	33	158	158	100	130	50	19	40	6	15.5	6	M6	16	80	11	266.5	10	329.5	151	182.5	12	343.5
90S	2-6	140	33	173	175	100	136	56	24	50	8	20	7	M8	19	90	12	279	10	384	163	187	15	396.5
90L	2-6	140	33	173	175	125	161	56	24	50	8	20	7	M8	19	90	12	279	10	414	163	187	15	426.5
100L	2-6	160	40	190	200	140	178	63	28	60	8	24	7	M10	22	100	12	298.5	12	480.8	185	198.5	20	494
112M	2-6	190	40	222	216	140	170	70	28	60	8	24	7	M10	22	112	15	317.5	12	480.8	198.5	205.5	20	493.5
132S	2-6	216	54	250	251	140	220	89	38	80	10	33	8	M12	28	132	18	355.5	12	515.3	219.5	223.5	20	530
132M	2-6	216	54	250	251	178	220	89	38	80	10	33	8	M12	28	132	18	355.5	12	515.3	219.5	223.5	20	530
160M	2-6	254	60	314	312	210	265	108	42	110	12	37	8	M16	36	160	22	463	15	637.5	304	303	25	677.5
160L	2-6	254	60	314	312	254	310	108	42	110	12	37	8	M16	36	160	22	463	15	681.5	304	303	25	721.5

Type M2JAX	Poles	size	P	M	N	S	T
80M	2-6	C120	120	100	80	M6	3
80M	2-6	C160	160	130	110	M8	3.5
90S	2-6	C140	140	115	95	M8	3
90S	2-6	C160	160	130	110	M8	3.5
90L	2-6	C140	140	115	95	M8	3
90L	2-6	C160	160	130	110	M8	3.5
100L	2-6	C160	160	130	110	M8	3.5
100L	2-6	C200	200	165	130	M10	3.5
112M	2-6	C160	160	130	110	M8	3.5
112M	2-6	C200	200	165	130	M10	3.5
132S	2-6	C200	200	165	130	M10	3.5
132M	2-6	C200	200	165	130	M10	3.5
160M	2-6	C250	250	215	180	M12	4
160L	2-6	C250	250	215	180	M12	4

M2JAX 高效隔爆电机变量代码

M2JAX Motor Variant Codes

代码 / Code	变量 / Variant	Frame Size												
		80	90	100	112	132	160	180	200	225	250	280	315	355
平衡 / Balancing														
423	无键平衡 Balanced without key.	P	P	P	P	P	P	P	P	P	P	P	P	P
424	全键平衡 Full key balancing.	P	P	P	P	P	P	P	P	P	P	P	P	P
轴承与润滑 / Bearings and Lubrication														
039	耐低温油脂 Cold resistant grease.	P	P	P	P	P	P	P	P	P	P	P	P	P
040	耐高温油脂 Heat resistant grease.	P	P	P	P	P	P	P	P	P	P	P	P	P
041	通过注油嘴对轴承加油 Bearings regreasable via grease nipples.	NA	NA	NA	NA	NA	S	S	S	S	S	S	S	S
043	SPM 震动测量接头 SPM compatible nipples for vibration measurement	NA	NA	NA	NA	NA	P	P	P	P	P	P	P	P
195	全封闭轴承 Bearings greased for life.	S	S	S	S	S	NA	NA	NA	NA	NA	NA	NA	NA
798	不锈钢注油嘴 Stainless steel grease nipples	NA	NA	NA	NA	NA	P	P	P	P	P	P	P	P
部门标准设计 / Branch standard designs														
209	非标准电压或频率 (特殊绕组) Non-standard voltage or frequency, (special winding).	R	R	R	R	R	R	R	R	R	R	R	R	R
168	仅涂底漆 Primer paint only.	P	P	P	P	P	P	P	P	P	P	P	P	P
425	防腐蚀定子和转子 Corrosion protected stator and rotor core.	P	P	P	P	P	P	P	P	P	P	P	P	P
冷却系统 / Cooling System														
068	轻合金金属风扇 Light alloy metal fan	P	P	P	P	P	S	S	S	S	S	S	S	S
文件材料 / Documentation														
141	配外形图 Binding dimension drawing.	P	P	P	P	P	P	P	P	P	P	P	P	P
接地螺栓 / Earthing Bolt														
067	外部接地螺栓 External earthing bolt.	S	S	S	S	S	S	S	S	S	S	S	S	S
加热元件 / Heating elements														
450	加热带 100-120V Heating element, 100-120V.	P	P	P	P	P	P	P	P	P	P	P	P	P
451	加热带 200-240V Heating element, 200-240V.	P	P	P	P	P	P	P	P	P	P	P	P	P

S= 在标准情况下包含
R= 根据需要, 技术确认
NA= 不适用
P= 根据需要, 直接排产

S=Included as standard
R=On request
NA=Not applicable
P=Applicable

M2JAX 高效隔爆电机变量代码

M2JAX Motor Variant Codes

代码 / Code	变量 / Variant	Frame Size												
		80	90	100	112	132	160	180	200	225	250	280	315	355
安装方式 / Mounting agrangement														
008	IM2101 底脚 / 法兰安装, IEC 法兰, 由 IM1001 派生 (B3 派生出 B34) IM 2101 foot/flange mounted, IEC flange, from IM 1001 (B34 from B3).	R	R	R	R	R	R	NA	NA	NA	NA	NA	NA	NA
047	IM 3601 法兰安装, IEC 法兰, 由 IM 3001 派生 (B5 派生出 B14) IM 3601 flange mounted, IEC flange, from IM 3001 (B14 from B5)	R	R	R	R	R	R	NA	NA	NA	NA	NA	NA	NA
066	非标安装方式 (请指定 IM × × ×) (除 B3(1001)、B5(3001)、B14(3601)、IM B35(2001) & IM B34)(2101) 外的其它安装型式须在定单中注明 Modified for specified mounting position differing from IM B3 (1001), IM B5 (3001), B14 (3601), IM B35 (2001) & IM B34 (2101)	P	P	P	P	P	P	P	P	P	P	P	P	P
喷漆 / Painting														
114	特殊油漆颜色, 标准等级 Special paint colour, standard grade.	P	P	P	P	P	P	P	P	P	P	P	P	P
106	喷涂厚度 = 80 μm Paint thickness = 80 μm.	S	S	S	S	S	S	S	S	S	S	S	S	S
109	喷涂厚度 = 120 μm Paint thickness = 120 μm.	R	R	R	R	R	R	R	R	R	R	R	R	R
110	喷涂厚度 = 160 μm Paint thickness = 160 μm.	R	R	R	R	R	R	R	R	R	R	R	R	R
防护 / Protection														
005	金属防雨罩, 立式电机, 轴伸向下 Protective roof, vertical motor, shaft down.	P	P	P	P	P	P	P	P	P	P	P	P	P
072	D 端径向密封 Radial seal at D-end. Not possible for 2 pole, 280 and 315	S	S	S	S	S	S	S	S	S	S	S	S	S
铭牌和指示牌 / Rating & instuction plates														
002	重敲铭牌电压、频输出、连续工作制 Restamping voltage, frequency and output, continuous duty.	R	R	R	R	R	R	R	R	R	R	R	R	R
135	安装额外不锈钢指示牌 Mounting of additional identification plate, stainless.	P	P	P	P	P	P	P	P	P	P	P	P	P
139	附加指示牌, 单独交付 Additional identification plate delivered loose.	P	P	P	P	P	P	P	P	P	P	P	P	P
轴和转子 / Shaft & rotor														
069	标准双出轴 Two shaft extensions as per basic catalogue.	R	R	R	R	R	R	NA	NA	NA	NA	R	NA	NA
070	D 端特殊轴伸, 标准材料 Special shaft extension at D-End, standard shaft material	R	R	R	R	R	R	R	R	R	R	R	R	R
164	闭口键槽轴伸 Shaft extension with closed key-way.	P	P	P	P	P	P	P	P	P	P	P	P	P
165	开口键槽轴伸 Shaft extension with open key-way.	S	S	S	S	S	S	S	S	S	S	S	S	S

S= 在标准情况下包含
R= 根据需要, 技术确认
NA= 不适用
P= 根据需要, 直接排产

S=Included as standard
R=On request
NA=Not applicable
P=Applicable

M2JAX 高效隔爆电机变量代码

M2JAX Motor Variant Codes

代码 / Code	变量 / Variant	Frame Size												
		80	90	100	112	132	160	180	200	225	250	280	315	355
标准和规范 / Standards and Regulations														
115	符合 ISO 12944-5:2007 的喷漆系统 C4M Painting system C4M acc. To ISO 12944-2: 2007	R	R	R	R	R	R	R	R	R	R	R	R	R
782	满足 CQStandard 认证要求 (中国) Certification requirements (China)	P	P	P	P	P	P	P	P	P	P	P	P	P
定子绕组温度传感器 / Stator winding temperature sensors														
435	定子绕组安装 PTC- 热敏电阻 (3 个串联), 130° C PTC - thermistors (3 in series), 130°C, in stator winding.	P	P	P	P	P	P	P	P	P	P	P	P	P
436	定子绕组安装 PTC- 热敏电阻 (3 个串联), 150° C PTC - thermistors (3 in series), 150°C, in stator winding.	P	P	P	P	P	P	P	P	P	P	P	P	P
439	定子绕组安装 PTC- 热敏电阻 (2 × 3 个串联), 150° C PTC - thermistors (2x3 in series), 150°C, in stator winding.	P	P	P	P	P	P	P	P	P	P	P	P	P
440	定子绕组安装 PTC- 热敏电阻 (2 × 3 个串联), 150° C PTC - thermistors (2x3 in series, 110°C & 3 in series, 130°C), in stator winding.	P	P	P	P	P	P	P	P	P	P	P	P	P
441	定子绕组安装 PTC- 热敏电阻 (3 个串联, 130° C 以及 3 个串联, 150° C) PTC - thermistors (3 in series, 130°C & 3 in series, 150°C), in stator winding.	P	P	P	P	P	P	P	P	P	P	P	P	P
445	定子绕组安装 PT100(2 线), 每相 1 个 Pt-100 2-wire in stator winding, 1 per phase	P	P	P	P	P	P	P	P	P	P	P	P	P
446	定子绕组安装 PT100(2 线), 每相 2 个 Pt-100 2-wire in stator winding, 2 per phase	NA	NA	NA	NA	NA	P	P	P	P	P	P	P	P
502	定子绕组安装 PT100(3 线), 每相 1 个 Pt-100 3-wire in stator winding, 1 per phase.	NA	NA	NA	NA	NA	P	P	P	P	P	P	P	P
503	定子绕组安装 PT100(3 线), 每相 2 个 Pt-100 3-wire in stator winding, 2 per phase.	NA	NA	NA	NA	NA	NA	NA	NA	NA	P	P	P	P
接线盒 / Terminal box														
022	电缆进线孔在左侧 (从 D 端看) Cable entry LHS (seen from D-end).	P	P	P	P	P	P	P	P	P	P	P	P	P
400	4 × 90 度可转动的接线盒 4 x 90 degr turnable terminal box.	S	S	S	S	S	S	S	S	S	S	S	S	S
468	电缆进线孔朝 D 端 Cable entry from D-end.	R	R	R	R	R	R	R	R	R	R	R	R	R
469	电缆进线孔朝 N 端 Cable entry from N-end.	R	R	R	R	R	R	R	R	R	R	R	R	R
230	标准金属电缆密封管 Standard metal cable glands.	S	S	S	S	S	NA	NA	NA	NA	NA	NA	NA	NA
731	2 个标准金属电缆密封管 Two standard metal cable glands.	R	R	R	R	R	S	S	S	S	S	S	S	S
738	预留公制单位葛兰 Prepared for metric cable glands.	P	P	P	P	P	P	P	P	P	P	P	P	P

S= 在标准情况下包含
R= 根据需要, 技术确认
NA= 不适用
P= 根据需要, 直接排产

S=Included as standard
R=On request
NA=Not applicable
P=Applicable

M2JAX 高效隔爆电机变量代码

M2JAX Motor Variant Codes

代码 / Code	变量 / Variant	Frame Size												
		80	90	100	112	132	160	180	200	225	250	280	315	355
试验 / Testing														
145	目录电机的型式试验报告， 400V 50HZ Type test report from a catalogue motor, 400V 50Hz.	P	P	P	P	P	P	P	P	P	P	P	P	P
146	目录电机的型式试验报告， 400V 50HZ Type test with report for one motor from specific delivery batch.	P	P	P	P	P	P	P	P	P	P	P	P	P
147	指定交货批次内的某一电机的 型式试验报告，客户现场见证 Type test with report for motor from specific delivery batch, customer witnessed.	P	P	P	P	P	P	P	P	P	P	P	P	P
148	出厂试验报告 Routine test report.	P	P	P	P	P	P	P	P	P	P	P	P	P
221	出厂试验报告 Type test and multi-point load test with report for one motor from specific delivery batch.	P	P	P	P	P	P	P	P	P	P	P	P	P
222	指定交货批次的一台电机转矩 转速曲线、型式试验和多点负 载测试，并提交报告 Torque/speed curve, type test and multi-point load test with report for one motor from specific delivery batch.	P	P	P	P	P	P	P	P	P	P	P	P	P
760	振动等级检测 Vibration level test	P	P	P	P	P	P	P	P	P	P	P	P	P
762	对指定交货批次内的一台 电机进行噪声等级测试 Noise level test for one motor from specific delivery batch.	P	P	P	P	P	P	P	P	P	P	P	P	P

S= 在标准情况下包含
R= 根据需要、技术确认
NA= 不适用
P= 根据需要、直接排产

S=Included as standard
R=On request
NA=Not applicable
P=Applicable

M2JAX 高效隔爆电动机，基本设计概述

M2JAX IE2 Flameproof motor in brief, Basic Design

电动机规格 Motor size		80	90	100	112	132
定子 Stator	材料 Material	铸铁 HT200 GB/T9439 Castiron HT200 GB/T9439				
	油漆色调 Paint colour shade	Munsell 8B 4.5 / 3.25 /NCS 4822 B05G Munsell blue 8B 4.5 / 3.25 /NCS 4822 B05G				
	油漆厚度 Paint thickness	EP081 水性厚浆双组份聚氨酯表面漆，厚度 ≥80 μm EP081 two-component polyurethane surface coatings for water based thick slurry, thickness ≥ 80 μm				
轴承端盖 Bearing end shield	材料 Material	铸铁 HT200 GB/T9439 Castiron HT200 GB/T9439				
	油漆色调 Paint colour shade	Munsell 8B 4.5 / 3.25 /NCS 4822 B05G Munsell blue 8B 4.5 / 3.25 /NCS 4822 B05G				
	油漆厚度 Paint thickness	EP081 水性厚浆双组份聚氨酯表面漆，厚度 ≥80 μm EP081 two-component polyurethane surface coatings for water based thick slurry, thickness ≥ 80 μm				
轴承 Bearing	驱动端 D-end	6204 / 2Z	6205 / 2Z	6206 / 2Z	6207 / 2Z	6208 / 2Z
	游隙 Radial internal clearance	C3	C3	C3	C3	C3
	非驱动端 N-end	6204 / 2Z	6205 / 2Z	6206 / 2Z	6207 / 2Z	6208 / 2Z
	游隙 Radial internal clearance	C3	C3	C3	C3	C3
轴向紧锁轴承 Axially-locked bearings	弹簧圈 Spring ring	标准情况下，驱动端锁定 As standard, locked at D-end				
润滑 lubrication		永久润滑 Greased for life				
铭牌 Rating plate	材料 Material	不锈钢 Stainless steel				
接线盒 Terminal box	接线盒座材料 Frame material	铸铁 HT200 GB/T9439 Castiron HT200 GB/T9439				
	接线盒盖材料 Cover material	铸铁 HT200 GB/T9439 Castiron HT200 GB/T9439				
连接 Connections	电缆入口 Cable entries	1-M25 × 1.5	1-M25 × 1.5	1-M32 × 1.5	1-M32 × 1.5	1-M32 × 1.5
	端子 Terminals	6 个接线端子 6 terminals for connection				
风扇 Fan	材料 Material	强化玻璃纤维 Reinforced glass fiber				
风扇罩 Fan cover	材料 Material	钢 Steel				
	油漆色调 Paint colour shade	Munsell 8B 4.5 / 3.25 /NCS 4822 B05G Munsell blue 8B 4.5 / 3.25 /NCS 4822 B05G				
	油漆厚度 Paint thickness	EP081 水性厚浆双组份聚氨酯表面漆，厚度 ≥80 μm EP081 two-component polyurethane surface coatings for water based thick slurry, thickness ≥ 80 μm				
定子绕组 Stator winding	材料 Material	铜 Copper				
	绝缘 Insulation	防护等级 F Insulation class F				
	绕组保护 Winding protection	根据客户要求 On request				
转子绕组 Rotor winding	材料 Material	压模铸铝 Pressure die-cast aluminium				
平衡方法 Balancing method		标准配置采用半键平衡 Half key balancing as standard				
键槽 Key ways		开式键槽 Open key way				
防护等级 Enclosure		IP55				
冷却方式 Cooling method		IC411				

M2JAX 高效隔爆电动机，基本设计概述

M2JAX IE2 Flameproof motor in brief, Basic Design

电动机规格 Motor size		160	180	200	225	250
定子 Stator	材料 Material	铸铁 HT250 GB/T9439 Castiron HT250 GB/T9439				
	油漆色调 Paint colour shade	Munsell 8B 4.5 / 3.25 /NCS 4822 B05G Munsell blue 8B 4.5 / 3.25 /NCS 4822 B05G				
	油漆厚度 Paint thickness	EP081 水性厚浆双组份聚氨酯表面漆，厚度 ≥80 μm EP081 two-component polyurethane surface coatings for water based thick slurry, thickness ≥ 80 μm				
轴承端盖 Bearing end shield	材料 Material	铸铁 HT250 GB/T9439 Castiron HT250 GB/T9439				
	油漆色调 Paint colour shade	Munsell 8B 4.5 / 3.25 /NCS 4822 B05G Munsell blue 8B 4.5 / 3.25 /NCS 4822 B05G				
	油漆厚度 Paint thickness	EP081 水性厚浆双组份聚氨酯表面漆，厚度 ≥80 μm EP081 two-component polyurethane surface coatings for water based thick slurry, thickness ≥ 80 μm				
轴承 Bearing	驱动端 D-end	6309	6310	6312	6313	6315
	游隙 Radial internal clearance	C3	C3	C3	C3	C3
	非驱动端 N-end	6309	6309	6310	6312	6313
	游隙 Radial internal clearance	C3	C3	C3	C3	C3
轴向紧锁轴承 Axially-locked bearings	弹簧圈 Spring ring	标准情况下，驱动端锁定 As standard, locked at D-end				
润滑 lubrication		可润滑轴承 Regreasable bearings				
铭牌 Rating plate	材料 Material	不锈钢 Stainless steel				
接线盒 Terminal box	接线盒座材料 Frame material	铸铁 HT250 GB/T9439 Castiron HT250 GB/T9439				
	接线盒盖材料 Cover material	铸铁 HT250 GB/T9439 Castiron HT250 GB/T9439				
连接 Connections	电缆入口 Cable entries	2-M40 × 1.5	2-M40 × 1.5	2-M50 × 1.5	2-M50 × 1.5	2-M63 × 1.5
	端子 Terminals	6 个接线端子 6 terminals for connection				
风扇 Fan	材料 Material	金属 Metal				
风扇罩 Fan cover	材料 Material	钢 Steel				
	油漆色调 Paint colour shade	Munsell 8B 4.5 / 3.25 /NCS 4822 B05G Munsell blue 8B 4.5 / 3.25 /NCS 4822 B05G				
	油漆厚度 Paint thickness	EP081 水性厚浆双组份聚氨酯表面漆，厚度 ≥80 μm EP081 two-component polyurethane surface coatings for water based thick slurry, thickness ≥ 80 μm				
定子绕组 Stator winding	材料 Material	铜 Copper				
	绝缘 Insulation	防护等级 F Insulation class F				
	绕组保护 Winding protection	根据客户要求 On request				
转子绕组 Rotor winding	材料 Material	压模铸铝 Pressure die-cast aluminium				
平衡方法 Balancing method		标准配置采用半键平衡 Half key balancing as standard				
键槽 Key ways		开式键槽 Open key way				
防护等级 Enclosure		IP55				
冷却方式 Cooling method		IC411				

M2JAX 高效隔爆电动机，基本设计概述

M2JAX IE2 Flameproof motor in brief, Basic Design

电动机规格 Motor size	280	315	355	
定子 Stator	材料 Material	铸铁 HT250 GB/T9439 Castiron HT250 GB/T9439		
	油漆色调 Paint colour shade	Munsell 8B 4.5 / 3.25 /NCS 4822 B05G Munsell blue 8B 4.5 / 3.25 /NCS 4822 B05G		
	油漆厚度 Paint thickness	EP081 水性厚浆双组份聚氨酯表面漆，厚度 ≥80 μ m EP081 two-component polyurethane surface coatings for water based thick slurry, thickness ≥ 80 μ m		
	材料 Material	铸铁 HT250 GB/T9439 Castiron HT250 GB/T9439		
轴承端盖 Bearing end shield	油漆色调 Paint colour shade	Munsell 8B 4.5 / 3.25 /NCS 4822 B05G Munsell blue 8B 4.5 / 3.25 /NCS 4822 B05G		
	油漆厚度 Paint thickness	EP081 水性厚浆双组份聚氨酯表面漆，厚度 ≥80 μ m EP081 two-component polyurethane surface coatings for water based thick slurry, thickness ≥ 80 μ m		
	驱动端 D-end	6316	6316(2P) 6319(4/8P)	6319M(2P) 6322(4/6P)
	游隙 Radial internal clearance	C3	C3	C3
轴承 Bearing	非驱动端 N-end	6316	6316	6319M(2P) 6319(4/6P)
	游隙 Radial internal clearance	C3	C3	C3
	轴向紧锁轴承 Axially-locked bearings	弹簧圈 Spring ring	标准情况下，驱动端锁定 As standard, locked at D-end	
	润滑 lubrication	可润滑轴承 Regreasable bearings		
铭牌 Rating plate	材料 Material	不锈钢 Stainless steel		
接线盒 Terminal box	接线盒座材料 Frame material	铸铁 HT250 GB/T9439 Castiron HT250 GB/T9439		
	接线盒盖材料 Cover material	铸铁 HT250 GB/T9439 Castiron HT250 GB/T9439		
连接 Connections	电缆入口 Cable entries	2-M63 × 1.5	2-M63 × 1.5	2-M80 × 1.5
	端子 Terminals	6 个接线端子 6 terminals for connection		
风扇 Fan	材料 Material	金属 Metal		
风扇罩 Fan cover	材料 Material	钢 Steel		
	油漆色调 Paint colour shade	Munsell 8B 4.5 / 3.25 /NCS 4822 B05G Munsell blue 8B 4.5 / 3.25 /NCS 4822 B05G		
	油漆厚度 Paint thickness	EP081 水性厚浆双组份聚氨酯表面漆，厚度 ≥80 μ m EP081 two-component polyurethane surface coatings for water based thick slurry, thickness ≥ 80 μ m		
	材料 Material	铜 Copper		
定子绕组 Stator winding	绝缘 Insulation	防护等级 F Insulation class F		
	绕组保护 Winding protection	根据客户要求 On request		
	材料 Material	压模铸铝 Pressure die-cast aluminium		
平衡方法 Balancing method	标准配置采用半键平衡 Half key balancing as standard			
键槽 Key ways	开式键槽 Open key way			
防护等级 Enclosure	IP55			
冷却方式 Cooling method	IC411			

联系我们

Contact us

上海 ABB 电机有限公司

上海闵行经济技术开发区天宁路 88 号

邮编: 200245

电话: +86 21 5472 3133

传真: +86 21 5472 3133

ABB Shanghai Motors Co., Ltd.

No. 88 Tianning Road, Minhang Economic
and Technological Development Zone,
Shanghai, 200245

Tel : +86 21 5472 3133

Fax : +86 21 5472 3133

www.abb.com/motors&generators

www.abb.com.cn

我们有权进行技术修改或更改本文件内容，恕不另行通知。采购订单适用协议细节。对本文件可能存在的失误或信息不足，ABB 不承担任何责任。

我们保留对本文件、主题及其中插图的所有权。禁止在未事先获得 ABB 书面同意的情况下向第三方复印、公布或私自使用本文件内容（无论是全部内容还是部分内容）。

We reserve the right to make technical changer or modify the contents of this document without prior notice. With regard to purchase orders, the agreed particulars shall prevail.ABB Ltd. does not accept anyresponsibility whatsoever for potential errors or possible lack of information in this document.

We reserve all rights in this document and in the subject matter and lustrations contained there in. Anyreproduction, disclosure to third parties or utilization of its contents-in whole or in parks-is forbidden without prior written consent of ABB Ltd .

@Copyright 2015ABB.

版权所有。

All rights reserved